

# T10 Pocket GNSS RTK receiver

GNSS Receiver

Ver.2024.1.22

## Signal Tracking

Channels: 1590

GPS: L1C/A,L2P,L1C,L2C,L5

BeiDou: B1I,B2I,B3I,B1C,B2a,B2b

GLONASS: G1C,G1P,G2C,G2P,G3

Galileo:E1,E5b,E5a,E5AltBoc,E6c

QZSS: L1C/A,L2C,L5,L1C,L1s,L5s,L6

NAVIC: L5

SBAS: WAAS, EGNOS, MSAS, GAGAN,SDCM

## Performance Specifications

Signal Re-acquisition:  $\leq 1$ s

Cold start:  $< 50$  s

Warm start:  $< 30$  s

Hot start:  $< 15$  s

Initialization time:  $< 10$  s (Baseline  $\leq 10$ km)

Signal re-acquisition:  $< 1.5$  s

Initialization reliability:  $> 99.9\%$

Mode	Accuracy
Static and Fast Static	Horizontal 2.5 mm + 0.5 ppm RMS Vertical 5 mm + 0.5 ppm RMS
Long Observations Static	Horizontal 3.0 mm + 0.1 ppm RMS Vertical 3.5 mm + 0.4 ppm RMS
Signal Baseline RTK	Horizontal 8mm + 1ppm RMS Vertical 15mm + 1ppm RMS
DGPS	$< 0.4$ m RMS
SBAS	Horizontal 0.5m RMS Vertical 0.8m RMS
Standalone	1.5m 3D RMS

## Communications

Type-C

- Baud rates up to 921,600 bps UHF modem

- Tx/Rx with full frequency range from 410-470 MHz

- Transmit power: 0.5-2 W adjustable

- Range: 15 km

Position data output rates: 1 Hz, 2 Hz, 5 Hz, 10 Hz, 20 Hz

2LEDs (indicating Satellites Tracking, RTK Corrections Data)

1 Function buttons for Power

Bluetooth® : V 4.0 protocol, compatible with Windows OS and Android OS Calibration-free IMU integrated for tilt survey up to 60° tilt with 2.5 cm accuracy

## Data Format

Correction data I/O:

- RTCM 2.X, 3.X, CMR (GPS only), CMR+ (GPS only)

Position data output:

- ASCII: NMEA-0183 GSV, RMC, HDT, VHD, GGA, GSA, ZDA, VTG, GST; PTNL, PJK; PTNL, AVR; PTNL, GSK

## Physical

Size: 13\*13\*10cm

Weight: 790g(include battery)

## Environmental

Operating temperature:  $-40$  °C to  $+65$  °C ( $-40$  °F to  $149$  °F)

Storage temperature:  $-40$  °C to  $+85$  °C ( $-40$  °F to  $185$  °F)

Humidity: 100% non-condensing

Waterproof and dustproof: IP67, protected from temporary immersion to depth of 1 m

Shock: Designed to survive a 2 m drop onto concrete

## Electrical and Memory

Input voltage: 6-28 VDC

Power consumption: 1.4 W

Battery Capacity: 5000mAh, 7.4V

Memory: 8 GB

## Software

Survey Master Android-based data collection software

FieldGenius field data collection software (optional)

1.8GB is the default internal memory and optional 16GB, 32GB is available to order. Please clarify when placing the order.

2. Working distance of internal UHF varies in different environments, the maximum distance is 15km in ideal situation.

Specifications subject to change without notice.

**SinoGNSS**<sup>®</sup>  
By ComNav Technology Ltd.



# T10 Pocket GNSS Receiver

MAKE SURVEYING EASIER AND FASTER.

ComNav Technology Ltd.



Building 2, No. 618 Chengliu Middle Road, 201801, Shanghai, China

Web: [www.comnavtech.com](http://www.comnavtech.com)

Tel : +86 21 64056796

Email: [sales@comnavtech.com](mailto:sales@comnavtech.com)

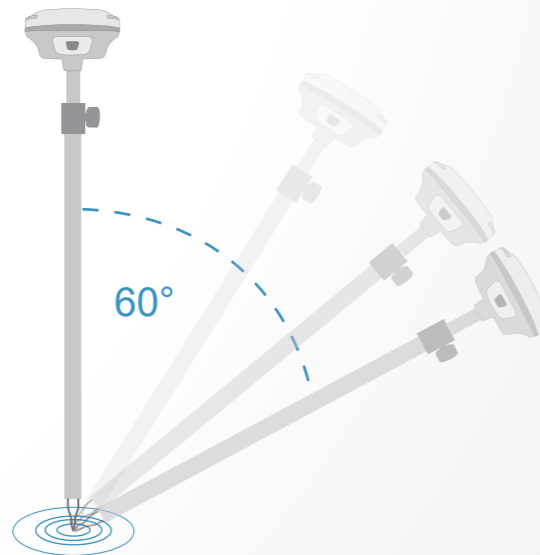
Fax: +86 21 54309582

# T10 Pocket GNSS RTK receiver

The T10 GNSS receiver is designed with super small size and lightweight. By integrating the latest IMU-RTK technology, it can deliver high reliable and accurate positioning in challenging situations. And the IMU-based 60° tilt surveying function enables you surveying without leveling the pole, making your construction and surveying work done easier and faster.

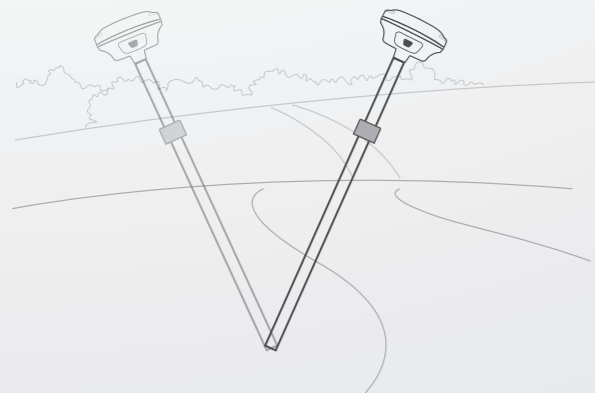
You just need to shake poles to initialize IMU less than 10 seconds first calibrations can last long time working hours. Up to 60° tilt compensation with 2.5cm accuracy, convenience and reliability are guaranteed at the same time.

## IMU-BASED TILT SURVEYING SIMPLIFIES SURVEYING PROCESS



With integrated 1598-channel GNSS technology, T10 support all the current and future GNSS signals, providing robust RTK availability and reliability. The adopted anti-interference algorithm technology improves fixed rate in a large extent.

## FULL CONSTELLATION TRACKING ENSURES RELIABLE PERFORMANCE



T10 supports NFC fast connection, you can automatically connected with data collector just a touch. It has multiple high-end connectivity modules including Bluetooth, Wi-Fi, NFC, and UHF radio modem. The internal LorRa UHF allows super-long-distance working range up to 15 km, making it working easier within RTK networks.

## COMPACT AND USER-FRIENDLY DESIGN BRINGS FATIGUE-FREE AND SMOOTH WORKING EXPERIENCE



# R60 Data Collector

**5.5 inch** sunlight readable screen  
**1080P** HD display

Patent for design,  
**ergonomic operation**

With advanced **NFC**,  
tedious matching is a  
thing of the past

**9000mAh** Li-Polymer Battery  
for continuously working **30+**  
hours  
QC3.0, 0.5h charging  
enables all-day use



Survive a 1.6m drop onto the  
concrete  
Anti-static design, excellent  
heat dissipation

Physic **full QWERTY** keyboard  
speeds up working efficiency

**5.0** Dual-mode Bluetooth, ultra long  
range Bluetooth connection

Qualcomm 8-core  
processor **Android 12**  
operation system  
with GMS certificate

**4+64** Memory  
Open CAD drawing in seconds



Qualcomm



1080P Resolution



5.5" Display



Full QWERTY



Android 12



LARGE CAPACITY



IP67